



USB-i 505

Dot DMX



Deca LED® Dot DMX Product Specification

Code	95103249
Description	DecaLED® Dot DMX
Type	DECA.DMX.Dot
Operating voltage	24VDC
Current	80mA
Power consumption	1.9W
Max. chainable	30 pieces
Current at max. chain	2.4A
Power consumption at max. chain	57W
Control	USB-i 505
Max. per controller	120
Max. per output	30
Luminous intensity	4.0cd
Housing	Polycarbonate with UV resistance
Dimensions	78 x 66 x 60 mm
Weight	50g
LED properties	3 high intensity SMD LEDs
Expected lifespan	50,000 hours
Note	Two optional lenses

Accessories

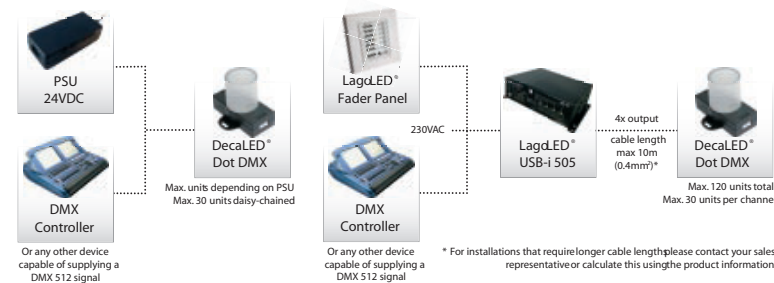
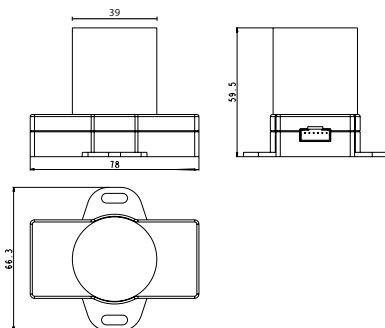
Control	Setup tool	PSU
P.25 USB-i 505 95380247	P.104 Setup tool 95350247	P.104 PSU 24VDC Various PSUs available
Cabling		
P.104 Starter cable 50cm 95750305	P.104 Starter cable 1m 95750310	P.104 Starter cable 3m 95750330
P.104 Starter cable 5m 95750350	P.104 Link cable 50cm 95750150	P.104 Link cable 200cm 95750200
Cone		
P.104 Dot Cone small 95750199		

DecaLED® Dot DMX is one of the most eye-catching new products from Lagotronics. The Dot DMX is a separately addressable Dot with a standard large cone and three RGB LEDs.

With its unique modular features, the DecaLED® Dot DMX offers powerful colour mixing possibilities in the supplied cone. In addition, the DecaLED® Dot DMX is multifunctional and an ideal solution for countless applications. The well thought-out design of the cone and housing makes attaching it to ceilings, walls or floors simpler than ever before. Furthermore, the well-proportioned cone makes sure that surfaces are illuminated homogeneously.

By adding the integrated intelligence, you will be able to address every dot separately by using the DecaLED® Setup tool and to control it by way of the DMX protocol. The LagoLED® USB-i is ideal for controlling a maximum of 120 Dot DMX.

The DecaLED® Dot DMX is also available with a small cone, various link cables and starter cables.



Fader Panel

24VDC

Setup tool